

# Q2-Uxx Series

# Product Specifications

ANZ#: Z247c, Oct. 20, 2017

High Power LED Driver	
Total Power	100 Watts max.
Input Voltages	110 ~ 277VAC
Number of Outputs	One

## SPECIAL FEATURES

- Universal input range from 100VAC~304VAC, 50/60Hz
- Versatile mechanical design maximizes design flexibility.
- Dimensions, refer to drawings (various styles of mech. Cases)
- Fully potted, suitable for dry and damp location applications
- 3 in 1 Dimming Control plus “ENABLE”, low dim “ON”.
- UL Listed with HL and CE compliant
- Wide selection of pre-adjusted CC and CV outputs (factory setting)

## ENVIRONMENTAL

Operating temperature:	-40 to +50 ° C, Tc: 85 ° C
Storage temperature:	-40 to +85 ° C
Humidity (Non-Condensing):	5% to 95%
Cooling:	Convection
Vibration Frequency:	5 to 50 Hz
MTBF:	>100,000 Hours at full load and 25°C ambient conditions (TELC3 – Telcordia SR-332, Issue 3)



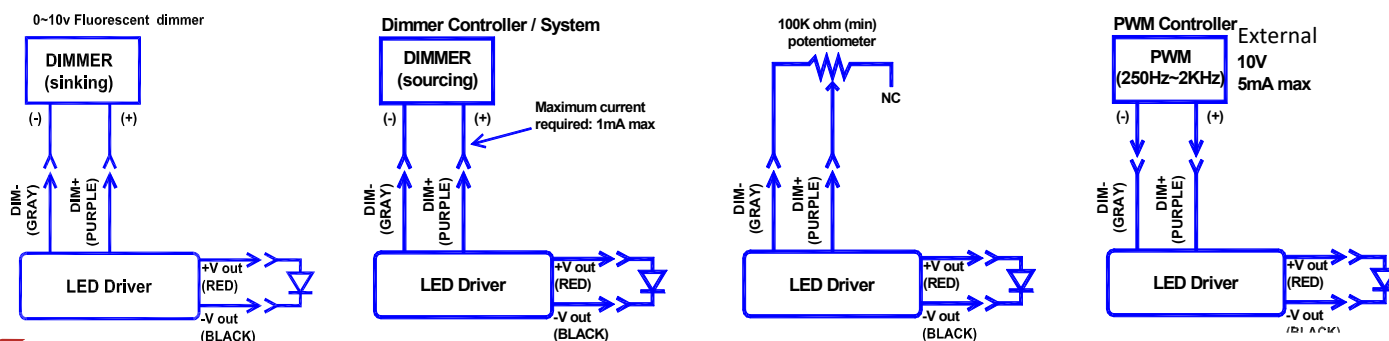
## SPECIFICATIONS :

Input Range : 110 ~ 277VAC	Frequency : 47 to 63Hz
Power Factor: > 0.92 at 65% to 100% load, 115VAC or 230VAC	Inrush Current : 10.0 Amps max. at 230VAC, cold start 25°C
Input Current : 1.1 Amps max. at 115VAC	Efficiency : 87% Typical
Output Current Regulation : ±5%	Maximum Power : 100 W
Protection : OCP, SCP, OLP – Auto Recovery	Leakage Current : 3mA typ.
Control : 0-10V dimmer; PWM (250-3KHz); Potentiometer; Enable	Dimension: 155 x 64 x 40 mm (LxWxH) and others
Hold up time: Half cycle min. at 120VAC and 80% rated load	Regulation Compliance: UL8750 or EN61347, EN55015, EN61547

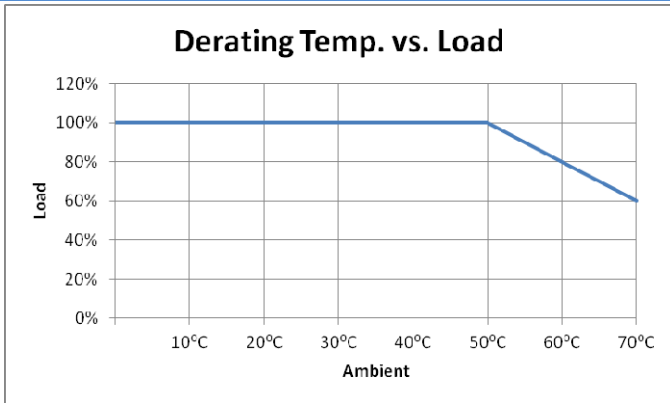
## Model Selection Table – CV model: Q2-Uxx-zz ; CC model: Q-Uxx-Cyyyy-zz

Model No.	Input			Output						Class 2 Yes/No
	Voltage (VAC)	Freq (HZ)	Current (A)	Power (W)	Voltage (Vdc)			Current (mA)		
				Max.	Min.	Nom.	Max.	Min.	Max.	
Q2-U12-Cyyyy-zz	110~277Vac	50/60	1.10~0.43	75	7	12	15	2500	5000	Yes
Q2-U24-Cyyyy-zz	110~277Vac	50/60	1.10~0.43	100	15	24	27	1900	5000	Yes
Q2-U36-Cyyyy-zz	110~277Vac	50/60	1.10~0.43	100	23	36	39	1300	3340	Yes
Q2-U48-Cyyyy-zz	110~277Vac	50/60	1.10~0.43	100	31	48	51	1000	2550	Yes
Q2-U54-Cyyyy-zz	110~277Vac	50/60	1.10~0.43	100	35	54	57	900	2290	Yes

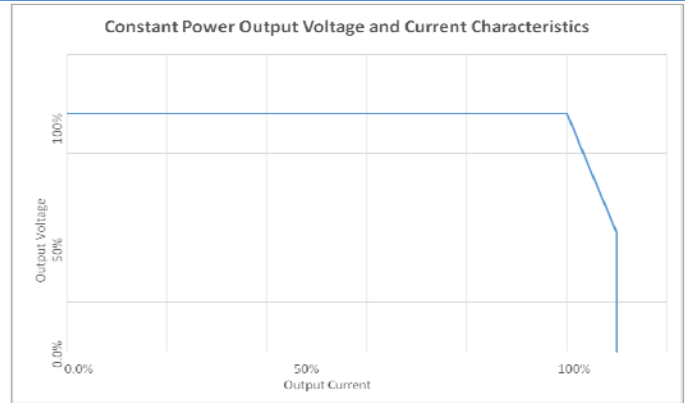
## Dimming Wiring Diagram (Standard: “low dim on”; “low dim off” is available upon request)



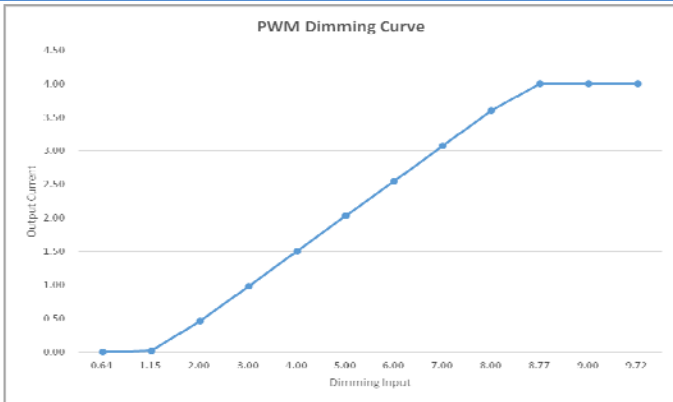
## De-rating Temp. vs. Load



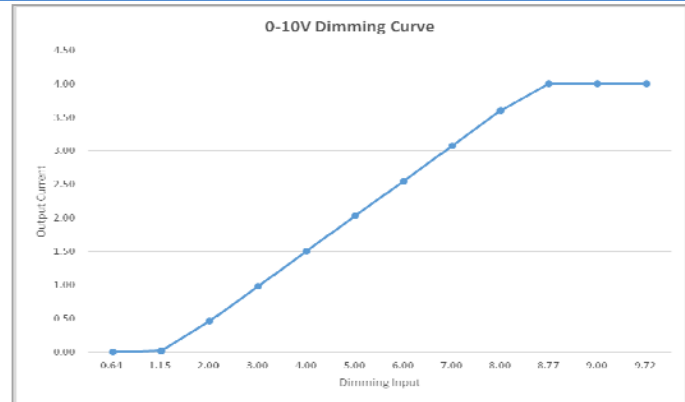
## Constant Power Output Voltage vs. Current



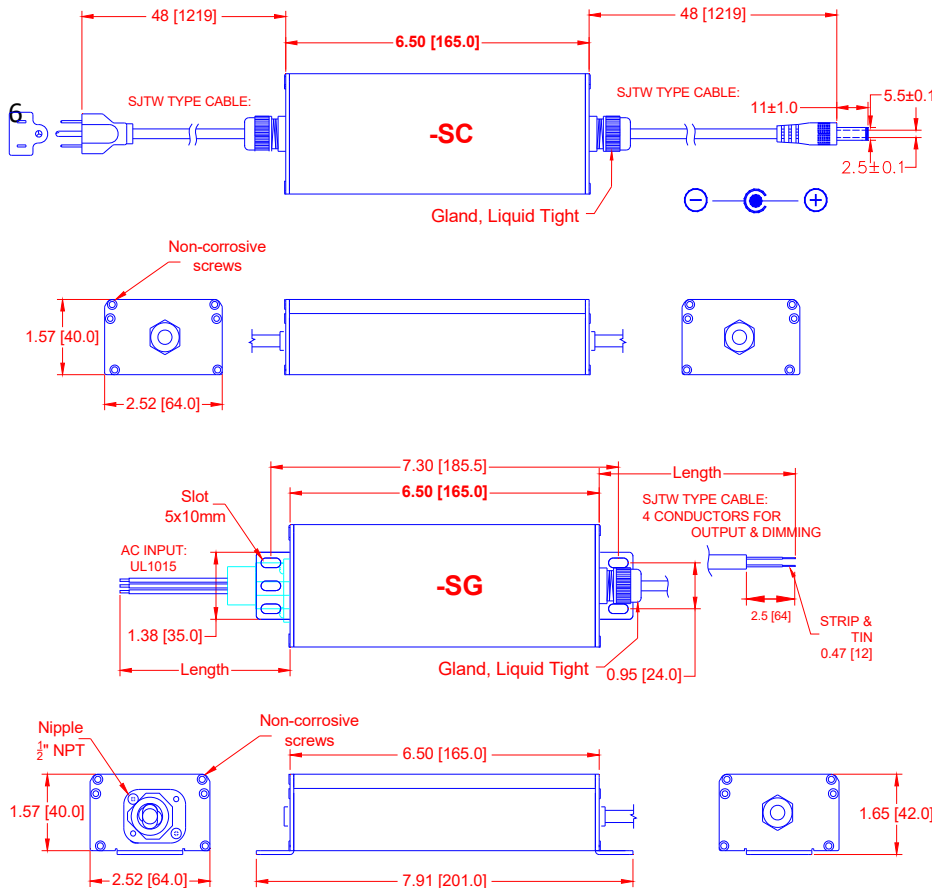
## PWM Dimming Curve



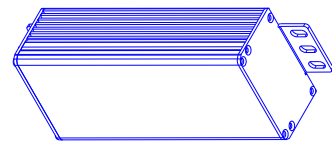
## 1-10V Dimming Curve



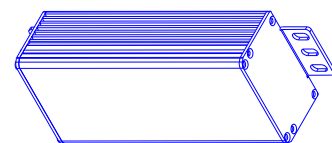
## MECHANICAL SPECIFICATION : Q2-Uxx-Cyyyy-zz

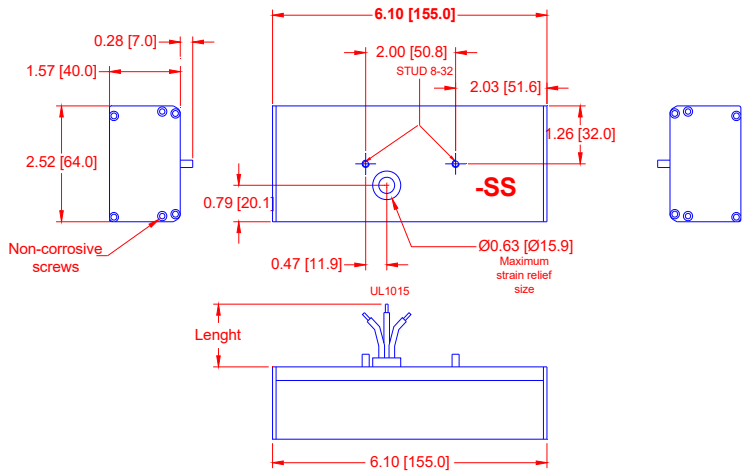


**-SC:** 6.50 (L) x 2.52 (W) x 1.57 (H) in.  
165 x 64 x 40 mm  
UL Listed

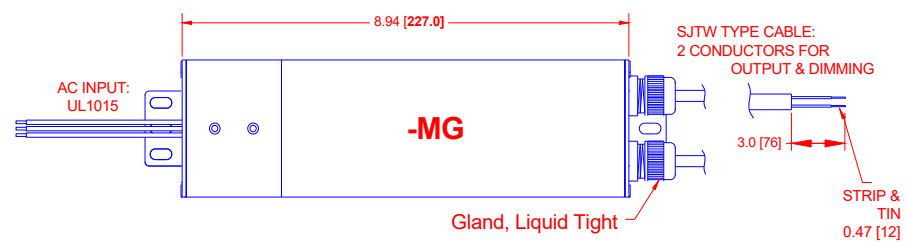
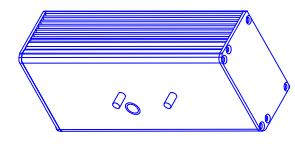


**-SG:** 6.50 (L) x 2.52 (W) x 1.57 (H) in.  
165 x 64 x 40 mm  
UL Listed

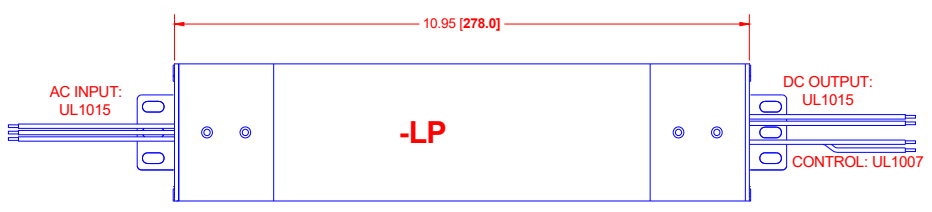
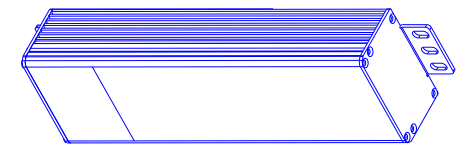




**-SS:** 6.10 (L) x 2.52 (W) x 1.57 (H) in.  
155 x 64 x 40 mm  
UL Listed



**-MG:** 8.94 (L) x 2.52 (W) x 1.65 (H) in.  
227 x 64 x 42 mm  
UL Listed



**-LP:** 10.94 (L) x 2.52 (W) x 1.65 (H) in.  
278 x 64 x 42 mm  
UL Listed

