

13518

Lampholders

Item Description

Medium Base, Bi-Pin, Standard Fluorescent Lampholder, Snap-In, Plunger, , Quickwire 18AWG Solid or Str Tinned - White



Technical Information

Electrical Specifications

Voltage: 600 Volt

Rated Wattage: 660W

Material Specifications

Body Material: Thermoplastic

Contact Material: Silver-Plated Copper-Alloy

Color: White

Availability: Distribution

Cover Plate: Stainless Steel

Mechanical Specifications

Mounting Type: Snap-In

Panel Thickness: .035 - .050

Contact Type: Plunger

Termination: Quickwire 18AWG Solid

Product Features

Lamp Base: Medium

Lamp Contacts: Bi-Pin

Mounting Type: Snap-In

Panel Thickness: .035 - .050

Contact Type: Plunger

Termination: Quickwire 18AWG Solid

Rated Wattage: 660W

Color: White

Standards and Certifications: UL/CSA

Warranty: 1 Year Limited

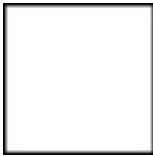
Availability: Distribution

Standards and Certifications

UL Listed: File E5833

CSA Certified: File LR-5863

Color:

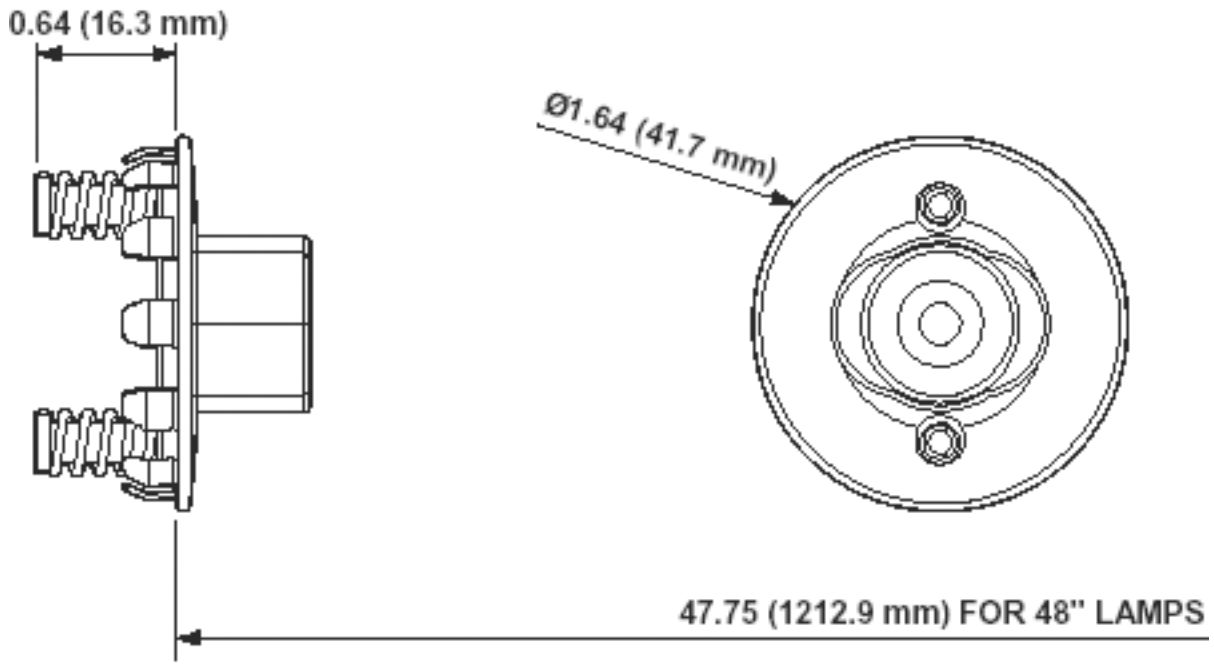


White

UPC Code: 07847716856

Country of Origin: Mexico - *Eligible for
ARRA funded projects > \$7,443,000





SPECIFICATION SUBMITTAL

JOB NAME:		CATALOG NUMBERS:	
<input type="text"/>		<input type="text"/>	<input type="text"/>
JOB NUMBER:	<input type="text"/>	<input type="text"/>	<input type="text"/>

Leviton Manufacturing Co., Inc.
 201 North Service Road, Melville, NY 11747
 Telephone: 1-800-323-8920 · FAX: 1-800-832-9538 · Tech Line (8:30AM-7:30PM E.S.T. Monday-Friday): 1-800-824-3005

Leviton Manufacturing of Canada, Ltd.
 165 Hymus Boulevard, Pointe Claire, Quebec H9R 1E9 · Telephone: 1-800-469-7890 ·
 FAX: 1-800-824-3005 · www.leviton.com/canada

Leviton S. de R.L. de C.V.
 Lago Tana 43, Mexico DF, Mexico CP 11290 · Tel.: (+52)55-5082-1040 · FAX: (+52)5386-1797 · www.leviton.com.mx

Visit our Website at: www.leviton.com
 © 2012 Leviton Manufacturing Co., Inc. All rights reserved. Subject to change without notice.



Leviton has a global presence.
 If you would like to know where your local Leviton office is located please go to: www.leviton.com/international/contacts/

**Buy American Compliant Logo -- The American Recovery And Reinvestment Act of 2009 ("ARRA") provides federal grants and loans for projects throughout the country. Section 1605 of the Act, named the "Buy American" provision, requires that certain materials and manufactured products used in projects funded by the Act be manufactured in the United States. The appearance of the Recovery Act Logo in relation to a Leviton product is only intended to reflect that such product may be used in an ARRA funded project. It does not mean that such product or Leviton is sponsored or endorsed by, or that Leviton receives funds from, the federal government or the Recovery Accountability and Transparency Board. Nothing in Leviton's use of the logo is intended to suggest anything regarding the requirements for funding under ARRA.*