

Slimline Lampholders

For 430mA Lamps



584.GDF™ & 585.GDF™ Series Lampholders



Specifications

Rating:

584.GDF™, 660 Watts, 600 V
 585.GDF™, 660 Watts, 1000 V
 for non-home use

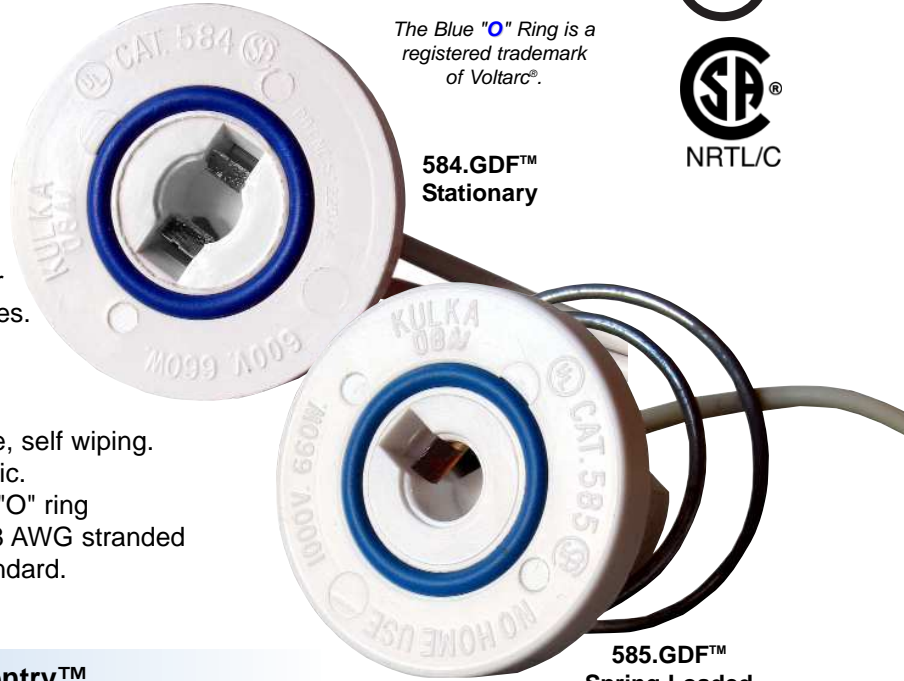
Listing: UL File No. E-13408; CSA File No. LR95423. UL listed and CSA certified for outdoor use in enclosed signs and fixtures.

Mounting: Snap-In, Dead Front Design

Materials

Housing: White urea
Contacts: Silver plated phosphor bronze, self wiping.
Mounting Clips: Fabulex™ Thermoplastic.
Gasket: Blue silicone treated neoprene "O" ring

Termination: Lead wires 9" (228.6 mm) long, 18 AWG stranded and tinned lead wires, 1/2" stripped, standard.
 Wire rated: AWM 600 V, 105°C (221°F).



The Blue "O" Ring is a registered trademark of Voltarc®.

**584.GDF™
Stationary**

**585.GDF™
Spring Loaded**

582B Series Socket Sentry™ Protective Lamp Base for Lampholder

Flammability Rating: UL-94B
 The Socket Sentry™ is intended to cover, not seal, the lampholder. The Socket Sentry™ should be replaced when relamping.

Part No.	Material	Service Temp.
582.BB	Black Neoprene	-65°F to +225°F
582.BS	Translucent Silicone	-180°F to +525°F



Pitch to insulate electrical contacts (588.GDF™ back shown)

Socket Sentry™ is a trademark of Voltarc. U.S. Patent No. 5,069,633.

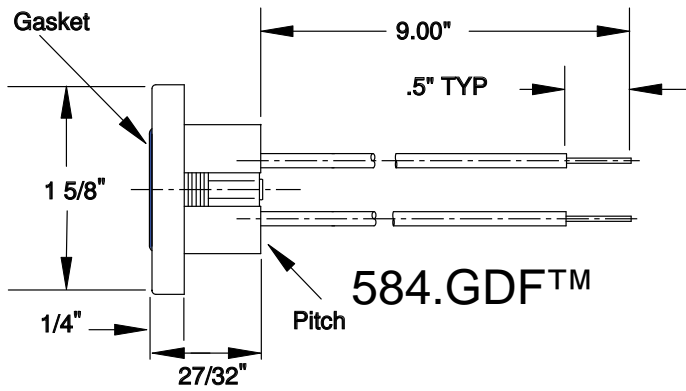
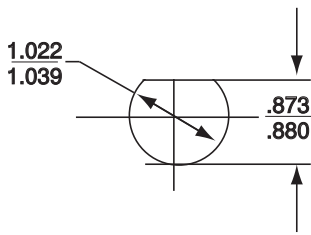
Kulka® 584.GDF™ / 585.GDF™ Series

Stationary Part No.	Spring Part No.	
584.GDF	585.GDF	Snap-in mounting, 9" long leadwires, gasket and pitch.
584.PDF	585.PDF	Snap-in mounting, 12" long leadwires, pitch only.

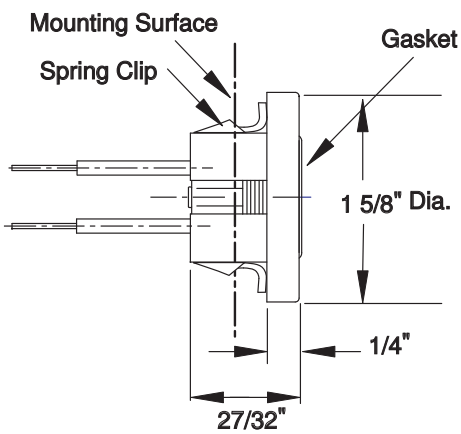
584.GDF packed 250/ box. 585.GDF packed 150/ box. **Special lead wire lengths available upon request, consult sales department.**
 Options: Add Suffix "A": for Self Aligning Mounting Clip, Ideal for U-Lamp Applications
 Add Suffix "SS" for Stainless Steel Spring

The Blue "O" Ring is a registered trademark of Voltarc.
 Dead Front Design US patent No. 5,122,074

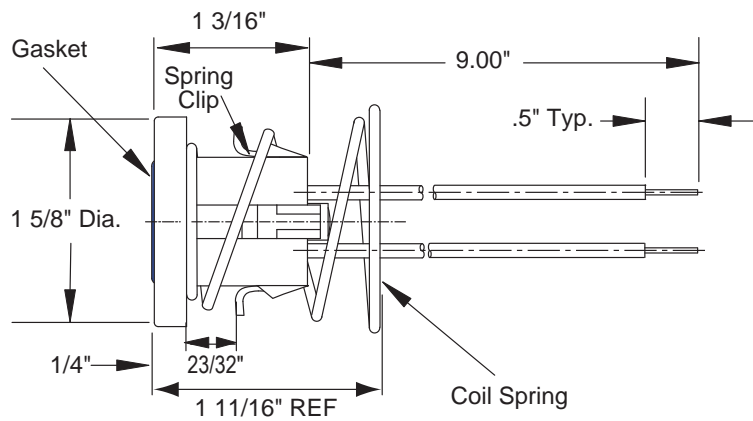
Mounting Panel Cutout
Recommended Panel Thickness
.031-.062"



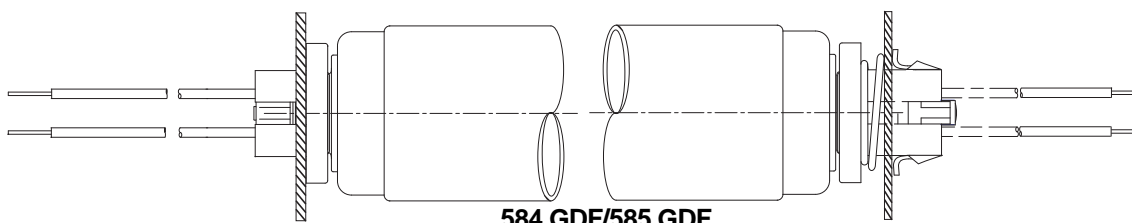
For U-Lamps
584GDF-A Self-Aligning



585.GDF™

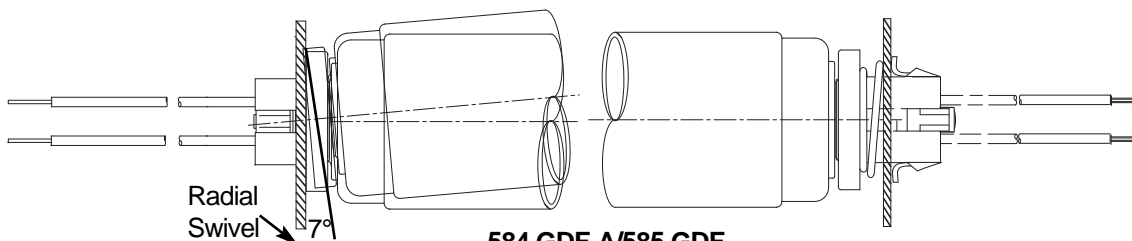


Panel to Panel Spacing



584.GDF/585.GDF
Nominal Lamp LENGTH minus 1 3/4" $\begin{matrix} + 1/16" \\ - 1/32" \end{matrix}$

584.GDF-A/585.GDF
Nominal Lamp LENGTH minus 1 11/16" $\begin{matrix} + 1/16" \\ - 1/32" \end{matrix}$



584.GDF-A/585.GDF
Nominal Lamp LENGTH minus 1 19/32" $\begin{matrix} + 1/16" \\ - 1/32" \end{matrix}$