

ARF20 /ARFS20



Low-Profile Recessed Or Surface Mounted Halogen Spotlight

This friction fit spotlight is designed for installation in kitchen cabinets, display cases and furniture. The ARF is the highest quality halogen spotlight and perfectly suitable for commercial applications.

Product-Features

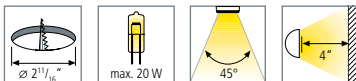
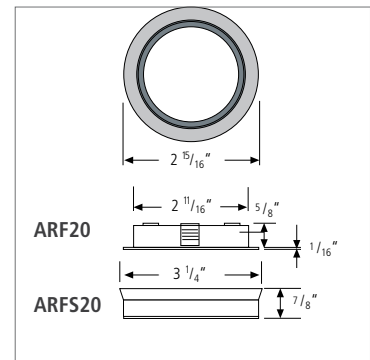
4,000 hrs. Osram bulb included

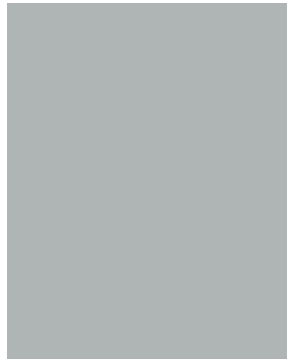
ARF20

- Recess depth only $\frac{5}{8}$ " or $\frac{1}{2}$ " (with spacer ring DR13)
- Highly polished aluminum reflector
- Includes 12 V/20 W bulb
- Friction fit
- Easy to relamp
- Same design as CBS20 but for under-the-cabinet applications
- Overall surface height less than $\frac{1}{16}$ "
- Frosted tempered glass lens
- Attached 72" connecting cable with NV6 plug
- Available in white, black, chrome, stainless steel and gold
- Special accessories available:
DR13 - Spacer ring to reduce recessed depth
- Can be used with 10,000 hrs. Xenon bi-pin bulb (special order)

ARFS20

- Same as ARF20 but surface mounted
- Overall height only $\frac{7}{8}$ "
- Available in complete sets of 2, 3 or 5 lights





What you'll need to buy

Spotlights

ARF20

Recessed, 20 W

Finish	Code No.
White	ARF20WH
Black	ARF20BL
Chrome	ARF20CH
Gold	ARF20GO
Stainless Steel	ARF20SS

ARFS20

Surface mounted, 20 W

Finish	Code No.
White	ARFS20WH
Black	ARFS20BL
Chrome	ARFS20CH
Gold	ARFS20GO
Stainless Steel	ARFS20SS

Transformers (for specs refer to pages 80 – 82)

Description	Code No.
Premium 60 Watt	UC-60FT
Premium 120 Watt	UK-120TW

Optional accessories

Description	Refer to pages
Dimmers	refer to pages 83 – 84
Connecting cables	refer to page 85
Terminal blocks	refer to page 85

The ARF spotlights can also be purchased in complete kits of 2, 3 and 5 light fixtures, including transformer, connecting cables and all hardware. Refer to pages 62 – 63 of the catalog.