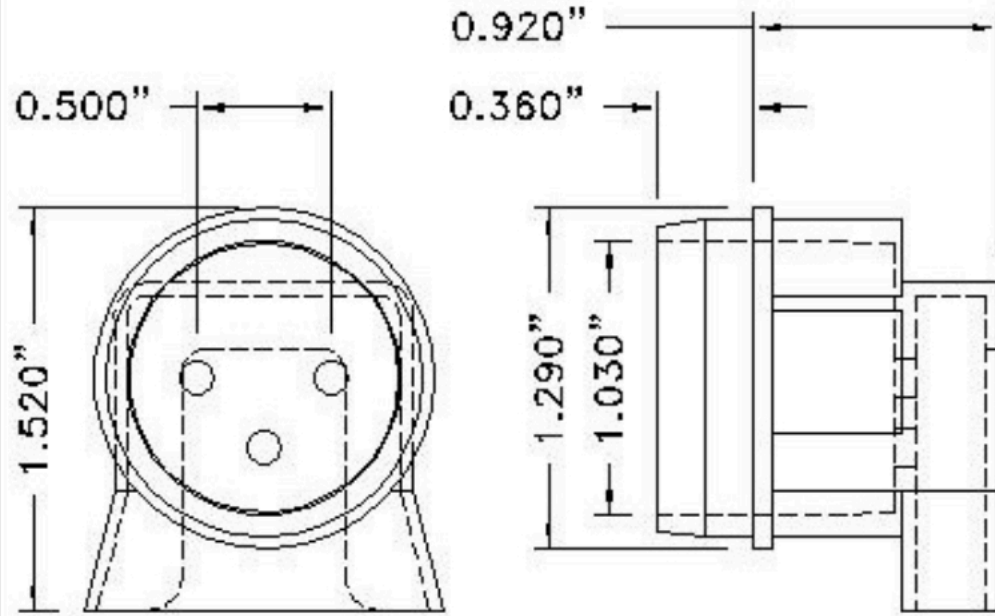


EMF Corporation LR-90C-8



EMF CORPORATION LR-90C-8

MATES

LR-90
RP-2-1A
LR-93
LR-93-109
LR-97
LR-107

POLARIZED

No

TERMINALS

Accepts: T-8 medium bi-pin fluorescent lamp

DETAILS

Pre-molded fluorescent lampholder cap. For T-8 medium bi-pin fluorescent lamp. Contains reduced profile and lampholder retention lock. Fits polycarbonate lamp safety shield with 1.187" inner DIA. Designed for use with mating lampholder and appropriate lamp safety shield.