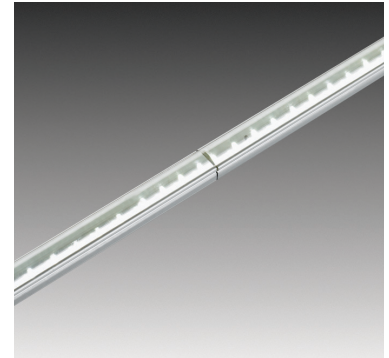


Stick2-LED

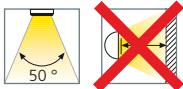
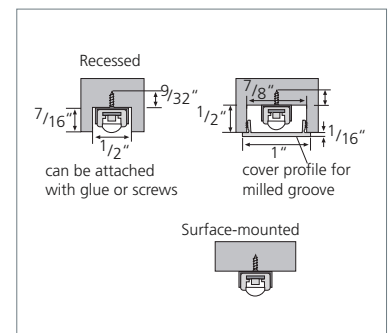
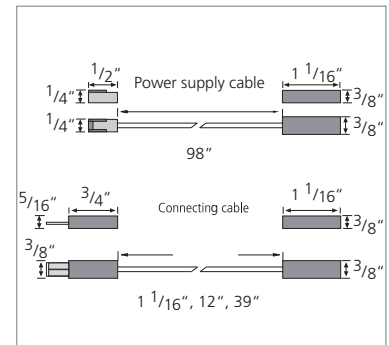
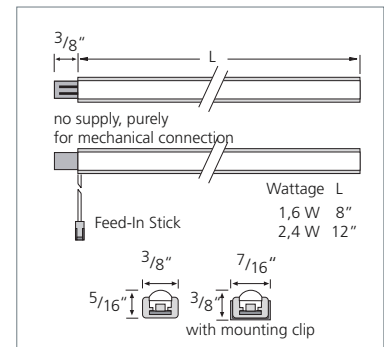


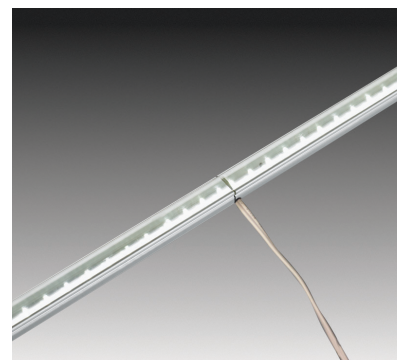
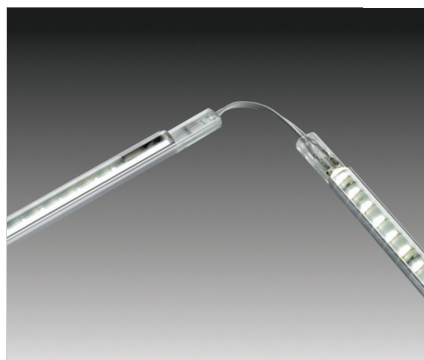
Miniature Linear LED Light with Integrated Connecting System

These ultracompact strips of LED lighting feature a very high and even light output and an integrated connecting system. The Stick2-LED has an excellent CRI making it the perfect solution for displays where superior color rendering is needed. They are also UL EPH listed (NSF) for use in food applications.

Product-Features

- Aluminum and plexiglas housing
- Extremely small dimensions: width $\frac{3}{8}$ " , height $\frac{5}{16}$ "
- Light fixture can be recessed (flush with board) or surface mounted
- Available in four different sizes: 8" (1.6 W), 12" (2.4 W), 34" (7.2 W) and 46" (9.7 W)
- Stocked in 3000 K and 4100 K
- Available from 2700 K to 6500 K by special order
- 50,000 hours useable life
- Excellent CRI > 90
- Extremely high, even light output
- EPH certified to NSF/ANSI 2 for use in food zones
- Approved for use in closet applications
- For unlimited runs, order one Feed-In Stick for every 8'
- LED connecting cables are available in 1 $\frac{3}{16}$ " , 12" and 39" lengths
- Power supply cable 98" to be ordered separately
- To be used with 24 Vdc Constant Voltage Driver
- Magnetic mounting clips available
- 45 degree mounting clips available
- Dimmable with optional accessories





Feed-In Stick

What you'll need to buy

Light Fixtures

3000 K

Length	Lumens	Code No.
8"	80	STICK2/8/WW
12"	109	STICK2/12/WW
34"	341	STICK2/34/WW
46"	461	STICK2/46/WW
12" Feed-In Stick		STICK2/WPC/WW

4100 K

Length	Lumens	Code No.
8"	70	STICK2/8/CW
12"	107	STICK2/12/CW
34"	304	STICK2/34/CW
46"	411	STICK2/46/CW
12" Feed-In Stick		STICK2/WPC/CW

LED Constant Voltage Drivers (see page 54)

Description	Code No.
6 Watt	PS24V/06/S
30 Watt	PS24V/30/S
75 Watt	PS24V/75/S
96 Watt	PS24V/96/DIM/S

Optional Accessories (see pages 57-59)

Description	Code No.
Dimmer	STICKPSDIM/S
Dimmer Controller	DIMCONTROL/S
Distributor Cable	STICKDIM/YCABLE
Motion-Activated Infrared Switch	IRSWITCH
Remote Control Dimmer	RCPSDIM
Magnetic Mounting Clips	STICK2/MC/MAGNET
45 Degree Mounting Clips	STICK2/MC/45
Mounting Clip Set	STICK2/MC/SET
Cover Profile	STICK2/CP/39
Rocker Switch	SWITCH/PS24
Occupancy Switch	STICK2/OC

Cables and Connectors

Description	Code No.
Power Cord 98"	STICK2/PC
Connecting Cable 1"	STICK2/CC1
Connecting Cable 12"	STICK2/CC12
Connecting Cable 39"	STICK2/CC39
Power Cable Extension 39"	KB12LEDCC39
Power Cable Extension 98"	KB12LEDCC98
Terminal Block	STICKTB