

# 13351-D



UPC Code: 07847795741

Country of Origin: Please Contact Customer Service

## Lampholders

### Item Description

Medium Base, Bi-Pin, Standard Fluorescent Lampholder, Low Profile, Slide-On, Turn-Type, Disconnect, Quick-Connect 18AWG Solid or Str. Tinned - White

### Technical Information

#### Electrical Specifications

**Voltage:** 600 Volt

**Rated Wattage:** 660W

#### Material Specifications

**Body Material:** Thermosetting Urea

**Contact Material:** Copper-Alloy

**Color:** White

**Availability:** Distribution

#### Mechanical Specifications

**Mounting Type:** Slide-On

**Panel Thickness:** 18-20 Ga. Panel

**Contact Type:** Turn-Type

**Termination:** Quick-Connect 18AWG Solid or Str. Tinned

**Wire Strip Length:** 3/8 Inch

#### Product Features

**Lamp Base:** Medium

**Lamp Contacts:** Bi-Pin

**Style Name:** Low Profile

**Mounting Type:** Slide-On

**Panel Thickness:** 18-20 Ga. Panel

**Contact Type:** Turn-Type

**Termination:** Quick-Connect 18AWG Solid or Str. Tinned

**Feature:** Disconnect

**Rated Wattage:** 660W

**Color:** White

**Standards and Certifications:**

UL/CSA/NOM

**Warranty:** 1 Year Limited

**Availability:** Distribution

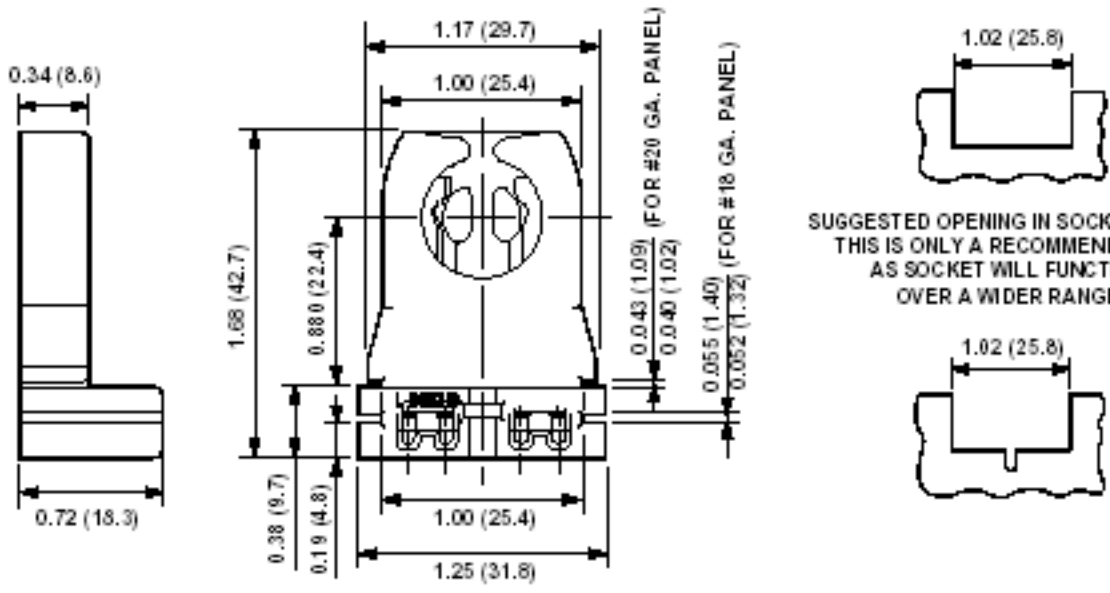
#### Standards and Certifications

**UL Listed:** File E5833

**UL Rated:** Meets UL 1570 Requirements

**CSA Certified:** File LR-1863

**NOM Certified:** 057



SUGGESTED OPENING IN SOCKET PLATE  
THIS IS ONLY A RECOMMENDATION  
AS SOCKET WILL FUNCTION  
OVER A WIDER RANGE.

**SPECIFICATION SUBMITTAL**

JOB NAME:	CATALOG NUMBERS:	
<input type="text"/>	<input type="text"/>	<input type="text"/>
JOB NUMBER:	<input type="text"/>	<input type="text"/>

**Leviton Manufacturing Co., Inc.**  
201 North Service Road, Melville, NY 11747  
Telephone: 1-800-323-8920 · FAX: 1-800-832-9538 · Tech Line (8:30AM-7:30PM E.S.T. Monday-Friday): 1-800-824-3005

**Leviton Manufacturing of Canada, Ltd.**  
165 Hymus Boulevard, Pointe Claire, Quebec H9R 1E9 · Telephone: 1-800-469-7890 ·  
FAX: 1-800-824-3005 · www.leviton.com/canada

**Leviton S. de R.L. de C.V.**  
Lago Tana 43, Mexico DF, Mexico CP 11290 · Tel.: (+52)55-5082-1040 · FAX: (+52)5386-1797 · www.leviton.com.mx

Visit our Website at: [www.leviton.com](http://www.leviton.com)  
© 2012-2013 Leviton Manufacturing Co., Inc. All rights reserved. Subject to change without notice.

**Leviton has a global presence.**  
If you would like to know where your local Leviton office is located please go to: [www.leviton.com/international/contacts/](http://www.leviton.com/international/contacts/)

