

BLU0050A05100

Ballast Type: Electromagnetic
 Input Voltage: 120VAC+5%
 Input Frequency: 60 Hz.

Circuit Type: Reactor
 Lamp Type: High Pressure Sodium
 Unit Color: Raw

Weight: 1.4 lbs.
 Carton Quantity: 20
 Skid Quantity: 960

ELECTRICAL SPECIFICATION:

Line Voltage (V)	ANSI Lamp Type	Lamp Watts	Input Power (W)	Line Current			Nominal Open Circ. Volt.	Capacitor Value	Power Factor	Wiring Diagram
				Operating	Open Circuit	Starting				
120	S68	50	60	1.20	0	1.75	120	N/A	≤50	300

PERFORMANCE:

- Electromagnetic reactor
- Normal power factor
- Open Core & Coil
- Class H Insulation (180°C)

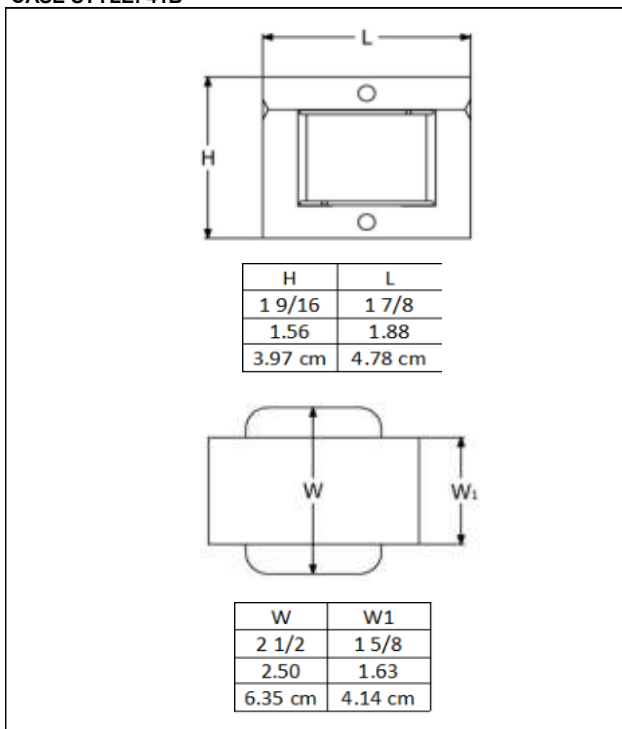
APPLICATION:

- Minimum starting temperature: -40°F/-40°C
- Remote mounting (ballast to lamp): 10 ft.

SAFETY:

- UL/1029 Recognized Component
- CSA/C22.2 Certified
- UL Coil Temperature Code: C
- RoHS Compliant

CASE STYLE: 41B



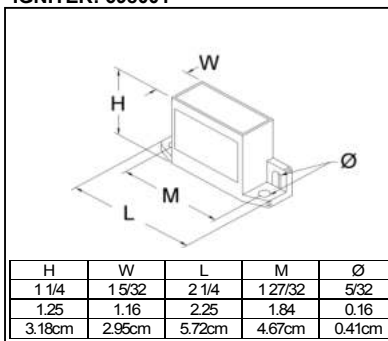
Dimensions (H x L):

H	L
1 9/16	1 7/8
1.56	1.88
3.97 cm	4.78 cm

Dimensions (W x W1):

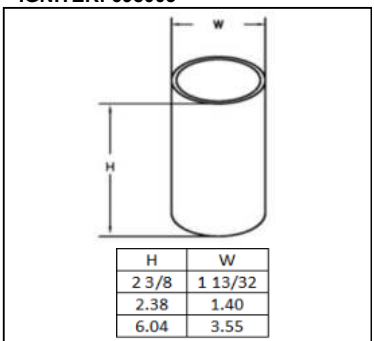
W	W1
2 1/2	1 5/8
2.50	1.63
6.35 cm	4.14 cm

IGNITER: 698001



H	W	L	M	Ø
1 1/4	1 5/32	2 1/4	1 27/32	5/32
1.25	1.16	2.25	1.84	0.16
3.18cm	2.96cm	5.72cm	4.67cm	0.41cm

IGNITER: 698003

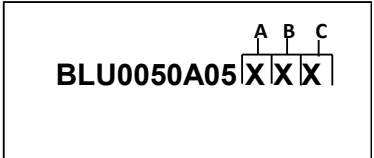


H	W
2 3/8	1 13/32
2.38	1.40
6.04	3.55

CAPACITOR:

NOT APPLICABLE
FOR THIS
MODEL

ORDERING CODE: ADD SUFFIX



(A) Bracket: (B) Ignitor: (C) Capacitor:
 1 = None 0 = 2 Hole 0 = None
 2 = Welded 1 = Round 3 = None

Standard Lead Lengths: 12"
*3/8" Strip

WIRING DIAGRAM: 300



Wiring Diagram for Igniter 698001

Wiring Diagram for Igniter 698003

WARRANTY

Robertson Worldwide warrants to the purchaser that this ballast will be free from defects in material or workmanship for a period of 2 years from date of manufacture when properly installed and under normal conditions of use. For more information on Robertson Worldwide's ballasts, call 1-800-323-5633 or visit www.robertsonww.com. For our energy star compliant ballasts, visit www.nema.org/lampballastmatrix/