



e-Vision Low Wattage 20-150W

E-VISION RMH20KBL5M

Low frequency electronic HID ballasts such as the Philips Advance e-Vision line constantly measure and adjust the wattage, optimizing delivery of the ceramic lamps' superior color properties. This makes ceramic metal halide operated by e-Vision ballasts the premier choice for many applications previously illuminated by either tungsten halogen or incandescent sources, such as retail lighting.

Product data

• General Information

Ansi Code	C175
Lamp Type	22W Philips Mini MC
Number Of Lamps	1 piece/unit
Ballast Type	Electronic HID
Base Model	RMH20KBL5
Suitable For Outdoor Use	Yes

• Operating and Electrical

Input Voltage	120 V
Input Frequency	50/60 Hz
Total Harmonic Distortion USA	15 %
Crestfactor (Nom)	1.8
Ignition Time (Nom)	1200 s
Ballast Factor (Nom)	1
Power Factor (Nom)	0.90
Input Current (Max)	0.23 A
Input Current (Min)	0.23 A
Input Power (Nom)	26 W
Rated Lamp Power	22 W

• Wiring

Color Input Terminals	No terminals
Color Output Terminals	No terminals
Wire Striplength	0.50 mm
Control Wire Gauge	NA
Wire Length By Color	All leads = 6"
Wire Gauge (Nom)	18AWG mm
Wire Type	Stranded

Remote Wiring Configuration Allowed	Yes
Tandem Wiring Configuration Allowed	No
Through Wiring Configuration Allowed	No
Connector Type	No connector

• Temperature

T-Case Maximum (Nom)	90 °C
----------------------	-------

• Mechanical and Housing

Housing Material	Metal
Housing	K
Housing Dimensions	4.1" x 1.3" x 1.2"

• Approval and Application

Emc Immunity Standard	FCC Non-Consumer
Hum And Noise Level	A
UL Recognized	No

• Product Data

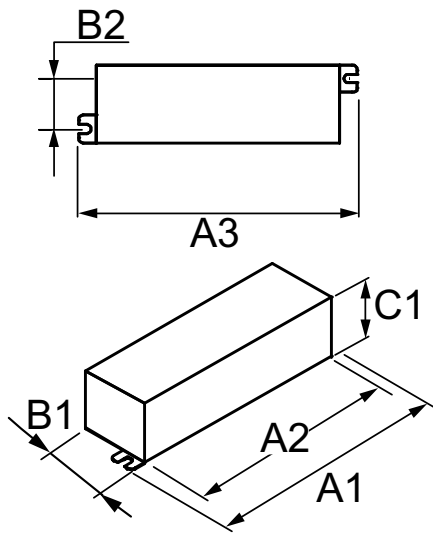
Order product name	E-VISION RMH20KBL5M
EAN/UPC - Product	781087092026
Order code	913701221502
Numerator - Quantity Per Pack	1

PHILIPS

Numerator - Packs 12
per outer box

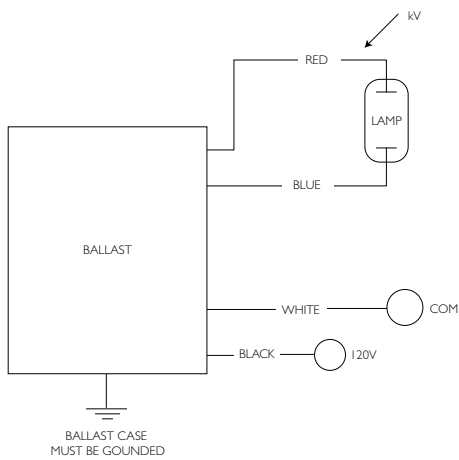
Material Nr. (12NC) 913701221502
Net Weight (Piece) 178.000 g

Dimensional drawing



ELE MH BAL 20W M175 120V

Product	A1	A2	A3	B1	B2	C1
E-VISION RMH20KBLSM	4.4 in	4.1 in	4.5 in	1.1 in	0.5 in	1.2 in



© 2016 Koninklijke Philips N.V. (Royal Philips)
All rights reserved.

Specifications are subject to change without notice. Trademarks are the property of Koninklijke Philips N.V. (Royal Philips) or their respective owners.

www.philips.com/lighting

2016, February 1
data subject to change