

# Maritime Incandescent Sockets

## Medium Screw Base



### 130 Series

#### Specifications

**Rating:** 660 Watts, 600V.

**Listing:** UL File No. E-13214;  
CSA File No. LR95423.

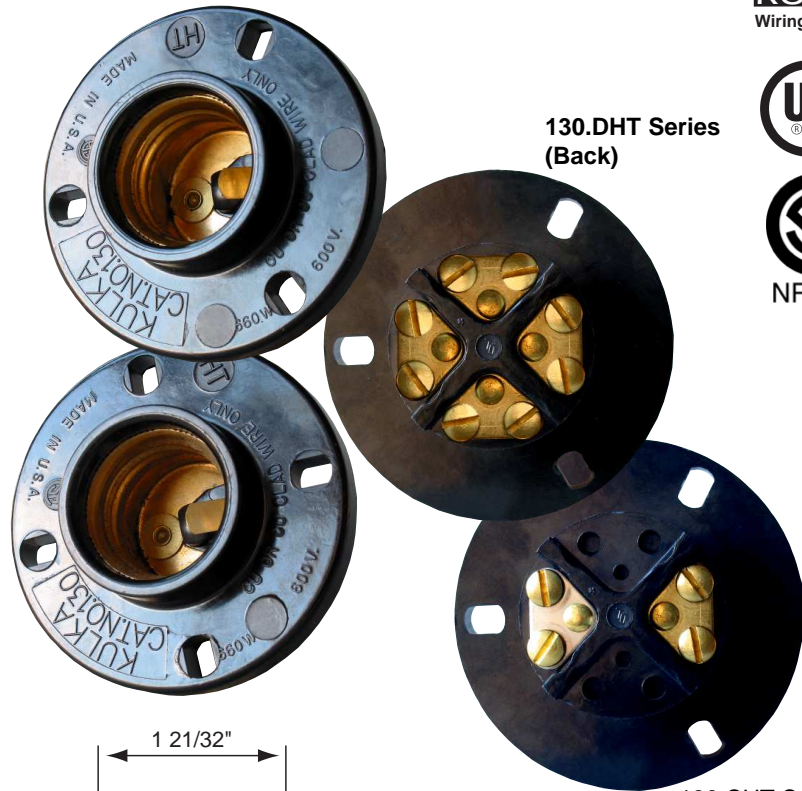
#### Materials

**Screw Shell:** Copper alloy

**Housing:** High temperature glass reinforced black phenolic, 180°C (356°F) max.

**Contacts:** copper alloy.

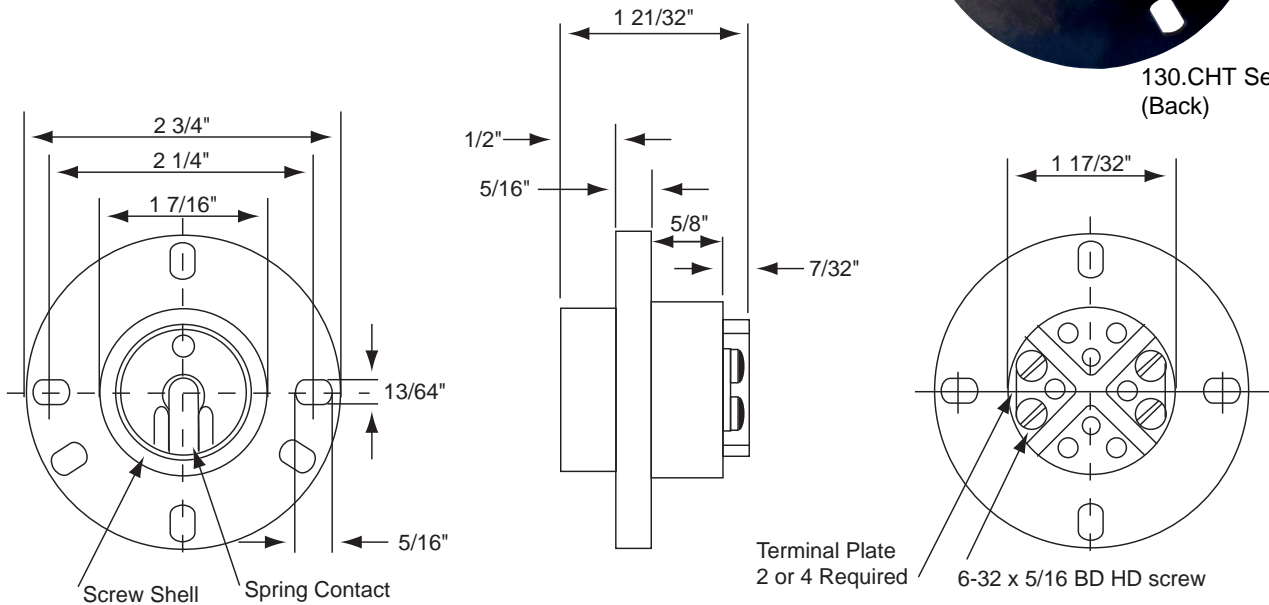
**Mounting:** Screw-on with three or four mounting holes.



130.DHT Series (Back)



130.CHT Series (Back)



### Kulka® 130 Series

Part No.	Terminals	Number of Mounting Holes
130.AHT	2	4 Holes, 90° apart, high temperature.
130.BHT	4	4 Holes, 90° apart, high temperature.
130.CHT	2	3 Holes, 120° apart, high temperature.
130.DHT	4	3 Holes, 120° apart, high temperature.

Packed 200/ box.