


APPLICATION & PERFORMANCE SPECIFICATION

B132IUNVEL-N	
Description:	High frequency electronic ballast
Primary lamp application:	1xF32T8
Secondary lamp applications:	1xF32T8ES-30W, 1xF28T8, 1xF32T8ES-25W, 1xF25T8, 1xF17T8, 1xF40T8, 1xF16T8/U



Features	
<ul style="list-style-type: none"> Line voltage: 108 - 305 VAC, 50/60Hz Active power factor correction 	<ul style="list-style-type: none"> Instant Start

Performance									
Lamp		Volts:	Input Watts:	Nominal Line Amps	Power Factor	Ballast Factor	Ballast Efficacy Factor	Harmonic Total	Crest Factor
Type	Qty								
F32T8	1	120	25	0.21	>.99	0.77	3.08	<10%	<1.7
		277	25	0.09	>.99	0.77	3.08	<10%	
F32T8ES (30W)	1	120	24	0.20	>.99	0.76	3.14	<10%	<1.7
		277	24	0.09	>.99	0.76	3.17	<10%	
F32T8ES (25W)	1	120	20	0.17	>.99	0.74	3.82	<10%	<1.7
		277	20	0.07	>.99	0.74	3.82	<10%	
F28T8	1	120	22	0.18	>.99	0.73	3.41	<10%	<1.7
		277	22	0.08	>.99	0.73	3.40	<10%	
F25T8	1	120	20	0.17	>.99	0.77	3.97	<10%	<1.7
		277	20	0.07	>.99	0.77	3.97	<10%	
F17T8	1	120	14	0.12	>.99	0.76	5.37	<10%	<1.7
		277	14	0.05	>.97	0.76	5.45	<15%	
F40T8	1	120	31	0.26	>.99	0.75	2.43	<10%	<1.7
		277	30	0.11	>.99	0.75	2.47	<10%	
F16T8/U	1	120	13	0.11	>.99	0.76	6.08	<10%	<1.7
		277	13	0.05	>.97	0.76	6.08	<20%	

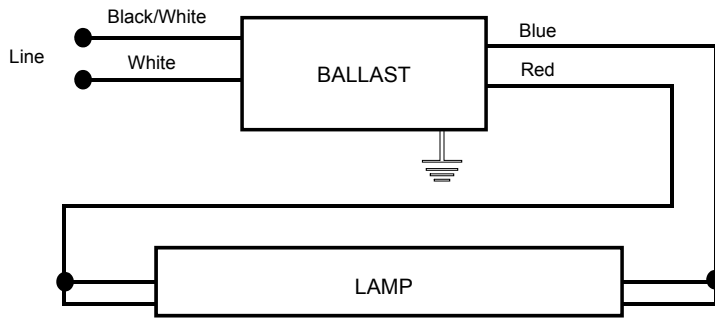
Application and operation performance specification information subject to change without notification

Standards, Listings and Compliance		
<ul style="list-style-type: none"> cUL_{US} Listed Class P, Type 1 Outdoor, Type HL FCC CFR 47 Part 18 for EMI and RFI non-consumer limits 	<ul style="list-style-type: none"> ANSI Standard C82.11 ANSI Standard C62.41 Sound Rated: Class A 	<ul style="list-style-type: none"> Contains no PCB's Antistriation Circuitry

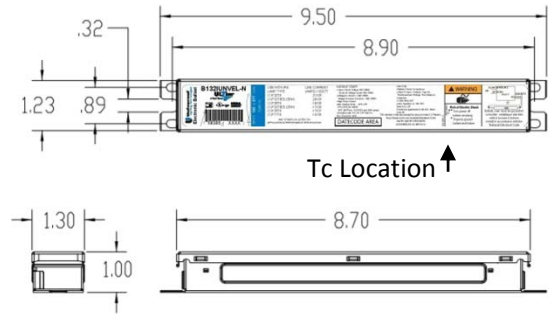
Application	Dimensions	Leads (± 1")												
<ul style="list-style-type: none"> Minimum starting temperature: 0°F/-18°C Energy Saving Lamps: 60°F/16°C Maximum ambient temperature: 105°F/40°C Maximum case temperature at t_c: 167°F/75°C Remote mounting: 20ft max - ballast case to lamp holder 	<ul style="list-style-type: none"> Overall length: 9.5" Overall width: 1.3" Overall height: 1.0" Mounting Length: 8.9" Weight: 0.89-lb 	<table style="width: 100%; border-collapse: collapse;"> <tr> <td></td> <td style="text-align: center;"><u>010C, 00LI</u></td> <td style="text-align: center;"><u>000I</u></td> </tr> <tr> <td>• Blck/Wht, White</td> <td style="text-align: center;">25"</td> <td style="text-align: center;">12"</td> </tr> <tr> <td>• Red</td> <td style="text-align: center;">48"</td> <td style="text-align: center;">21"</td> </tr> <tr> <td>• Blue</td> <td style="text-align: center;">31"</td> <td style="text-align: center;">12"</td> </tr> </table>		<u>010C, 00LI</u>	<u>000I</u>	• Blck/Wht, White	25"	12"	• Red	48"	21"	• Blue	31"	12"
	<u>010C, 00LI</u>	<u>000I</u>												
• Blck/Wht, White	25"	12"												
• Red	48"	21"												
• Blue	31"	12"												

B132IUNVEL-N

Connections



Dimensions (inches)



Note: Nominal dimensions provided above
Contact Universal for drawings and/or
tolerances

Note: Tc Location is displayed on product label

Ballast must be grounded – a star washer or other paint penetrating device is required
Ballast must be installed in accordance with national and local electrical codes
Manufactured in North America by Universal Lighting Technologies

WARRANTY

Universal Lighting Technologies warrants to the purchaser that each electronic ballast will be free from defects in material or workmanship for a period of (5) years from date of manufacture when properly installed and under normal conditions of use. Call 1-800-BALLASTx800 for technical assistance.