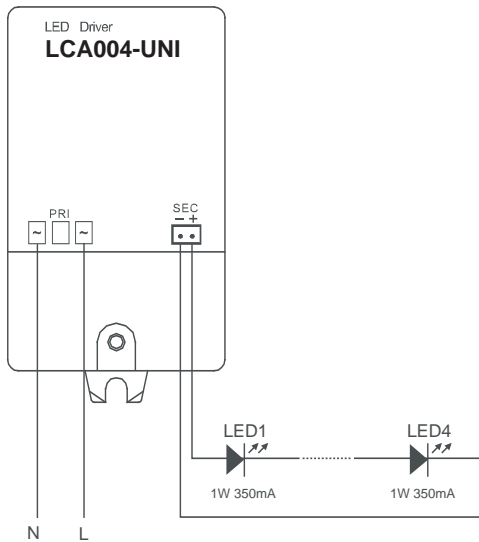


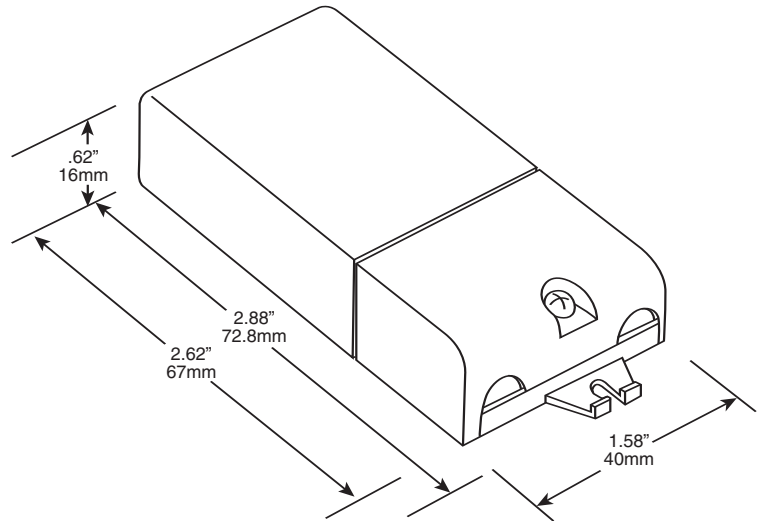
### ELECTRONIC SPECIFICATIONS

Input Voltage Range.....	90-264VAC
Input Frequency.....	50/60Hz
Output Power.....	0.7-4.6W
Input Current.....	55V
Output Voltage.....	2-13.2VDC
Output Current.....	315-385mA
Power Factor.....	0.55
Ambient Temp.....	-20°+50°C
Case Temp. (Tc).....	+90°C
Class 2.....	Yes

### WIRING DIAGRAM



### DIMENSIONS



### LAMP TYPE

High Power LED 1W x 1-4  
1.155W x 1-4

- Terminals : Input : Screw Terminal  
Output : Quick Connect
- Case Material : Polycarbonate
- RoHS Compliant : Yes
- UL1310 Compliant : Yes
- Indoor Use : Low Humidity / No Condensation

Regulatory Approvals

