

30W DA30W-3001 12V Series

Constant Current Constant Voltage



| | |
|------------------------------------|-----------------------------|
| Efficiency | >78% |
| Power Factor | >0.90 |
| Case TC | 80°C Max. |
| Protection | Input / Output |
| Storage | -30°C / +80°C |
| Humidity | 95% RH Max. |
| IP Rating | IP 44 |
| Class | Class 2 Power Supply |
| Dimming | ELV, TRIAC |
| Output Voltage or Constant Current | 350mA - 2500mA or 12V - 48V |



- Dimmable with ELV and TRIAC type dimmers
- Exceeds Title 24 requirements
- Isolated output power per NEC and UL safety requirements
- Auto-reset; Short circuit, overload and thermal protection
- UL recognized / Listed, UL8750, UL1210

FEATURES

- Superior thermal Performance
- Low profile, small form factor
- Efficient, high power factor, low THD
- Constant current or Constant voltage models
- Class 2 power supply and other than Class 2 options

MODEL SPECIFICATIONS

| CONSTANT CURRENT | | | | | |
|---------------------|------------------------|---------|----------------|----------------|-----------------------|
| Model Number | Input Voltage | Wattage | Output Voltage | Output Current | Available Form Factor |
| DA30W350C2885-3001 | 120V AC, 0.3A, 50/60Hz | 30W | 28-85V DC | 350mA | PT2, SM2 |
| DA30W400C2575-3001 | | | 25-75V DC | 400mA | |
| DA30W450C2266-3001 | | | 22-66V DC | 450mA | |
| DA30W700C1442-3001 | | | 14-42V DC | 700mA | |
| DA30W830C1236-3001 | | | 12-36V DC | 830mA | |
| DA30W1250C0824-3001 | | | 8-24V DC | 1250mA | |
| DA30W1660C0618-3001 | | | 6-18V DC | 1660mA | |
| DA30W2500C0412-3001 | | | 4-12V DC | 2500mA | |

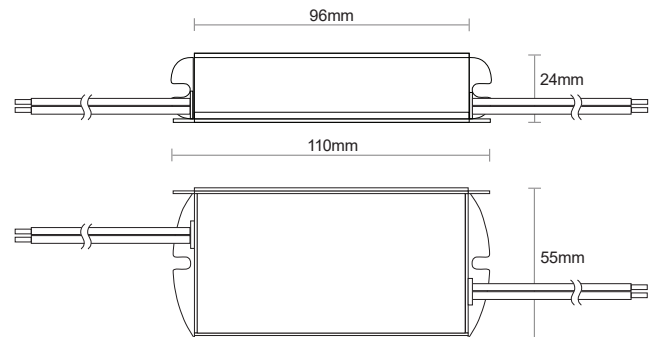
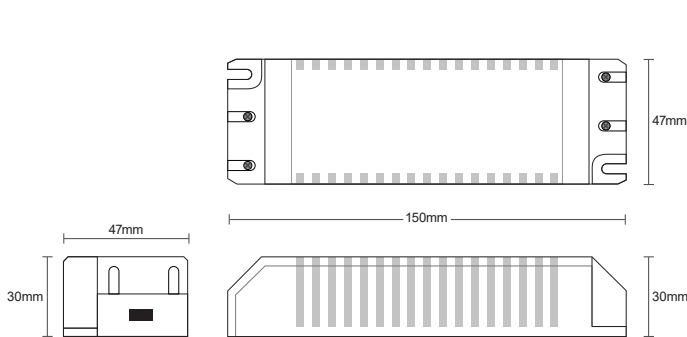
| CONSTANT VOLTAGE | | | | | |
|------------------|---------------------------|---------|----------------|------------------------|-----------------------|
| Model Number | Input Voltage | Wattage | Output Voltage | Load | Available Form Factor |
| DA30W12V-3001 | 120V AC, 0.3A, 50/60Hz | 30W | 12V DC | 12V DC LED, 2.5A Max. | PT2, SM2 |
| DA30W24V-3001 | | | 24V DC | 24V DC LED, 1.25A Max. | |
| DA30W48V-3001 | | | 48V DC | 48V DC LED, 0.63A Max. | |

MECHANICAL SPECS

| FORM FACTOR | DIMENSIONS |
|-------------|----------------------|
| PT2 | 150 x 47 x 30mm |
| SM2 | 110 (96) x 55 x 24mm |

PT2

SM2

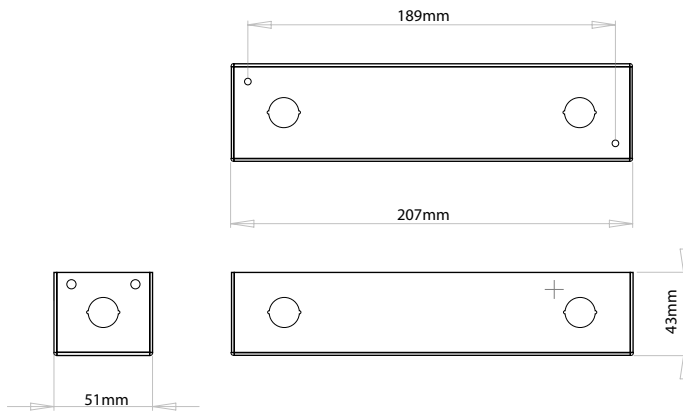


REMOTE ENCLOSURES - UL LISTED

| FORM FACTOR | DIMENSIONS |
|---------------------|-----------------------|
| DA30W-XXXX-RE-3001 | 150 x 47 x 30mm |
| DA30W-XXXX-REO-3001 | 238 (202) X 66 X 48mm |



G1



G4

