

# 1120-251A-TC

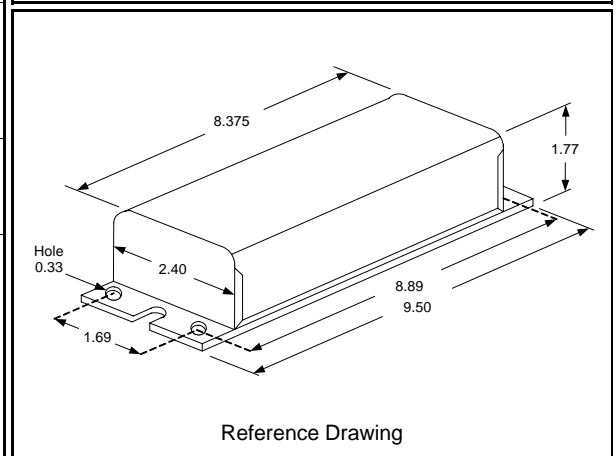
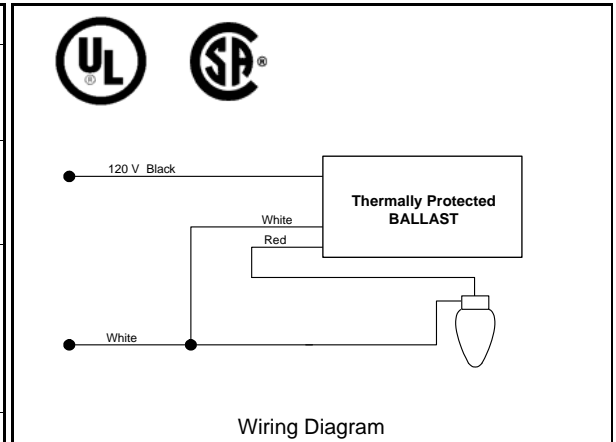
39W M130

Metal Halide

60Hz CWA

## Specification Sheet

<b>Input Volts</b>	120				
<b>Regulation</b>					
Line Volts	±10%				
Lamp Watts	±10%				
Power Factor (min)	90%				
Input Watts	53 W				
NOM. Open Circuit Voltage	220 V				
<b>Line Current (Amps)</b>					
Operating	0.50				
Open Circuit	0.35				
Starting	0.45				
Recommended Fuse (Amps)	2				
Lamp Dropout Voltage (Line)	80 V				
<b>Ratings</b>					
Insulation Class	A (105°C)				
Sound Rating	B				
MIN. Starting Temperature	-22°F -30°C				
<b>CAPACITOR Specifications</b>					
Microfarads	-				
Volts (min.)	-				
<b>60Hz Test Procedures</b>					
High Potential Test 1 Minute	2000 V				
High Potential Test 1 Second	2500 V				
Secondary Open Ckt Voltage (V)	200 - 240				
Secondary Current Shorted (A)	0.60 - 0.75				
Input Operating Current (A)	0.40 - 0.55				
Input Open Circuit Current (A)	0.20 - 0.50				
Input Short Circuit Current (A)	0.27 - 0.50				
<b>Physical Characteristics</b>					
Weight	3 lbs				
Lead Lengths (inches)	12-14				
Coil Material (Pri. / Sec.):	Cu / Cu				



**Capacitor: Internal**      **Ignitor: Internal**

BTL:      10 ft

Insulate unused input leads  
with proper electrical insulation

Anchor bracket / tab  
provided for splice box  
SB-4 (not included)

Document #:	010-14260-00
Date:	7/26/2013
Status:	Production
Replaces Catalog #:	New Design

Data is based upon tests performed by Universal Lighting Technologies in a controlled environment and is representative of relative performance. Actual performance may vary depending on operating conditions. Specifications are subject to change without notice.

**Universal Lighting Technologies**

26 Century Blvd. Suite 500 - Nashville, TN 37214

Phone 1-800-225-5278 Fax 1-800-206-0035

www.unvlt.com

7/29/2013