



ESP-125-T

Quartz Restrike System

Intelligent Device
ECOSYSTEM
Classic

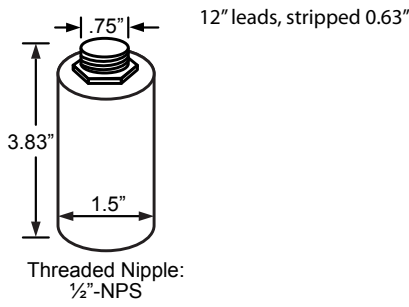
Features

The ESP-125-T is a traditional 120V control that incorporates a current sense circuit that automatically lights a quartz lamp when the main HID lamp is extinguished. It has a built-in timer to keep the quartz lamp on for 2-3 minutes during the HID lamp warm-up period.

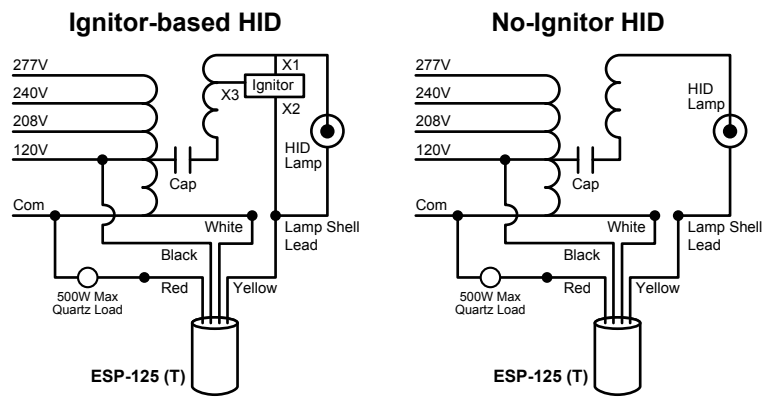
- For use with HPS or Metal Halide (probe-start or pulse start) magnetic ballasts with a 120V tap or input
- 50/60 Hz Operation
- Compact and simple to wire
- Measures the current drawn by the HID circuit rather than voltage across the circuit allowing use with virtually any type of lamp or ballast circuit
- Operates on HID circuits from 39-1500 watts
- Operates auxiliary lamps up to 500W
- Non-arcing switches allow the ESP-125-T to be used in Class 1, Division II vapor tight fixtures
- Can be wired directly to emergency generator power
- High temperature, flameproof plastic enclosure, 105°C maximum surface temp rating
- Timed Version (-T) keeps Quartz Lamp illuminated for 2-3 minutes until HID lamp reaches 25-50% brightness
- Patent Pending
- Not for use with F-can ballasts with ignitors



Dimensions



Wiring



★ **MADE IN USA** ★
Of Imported And Domestic Components

